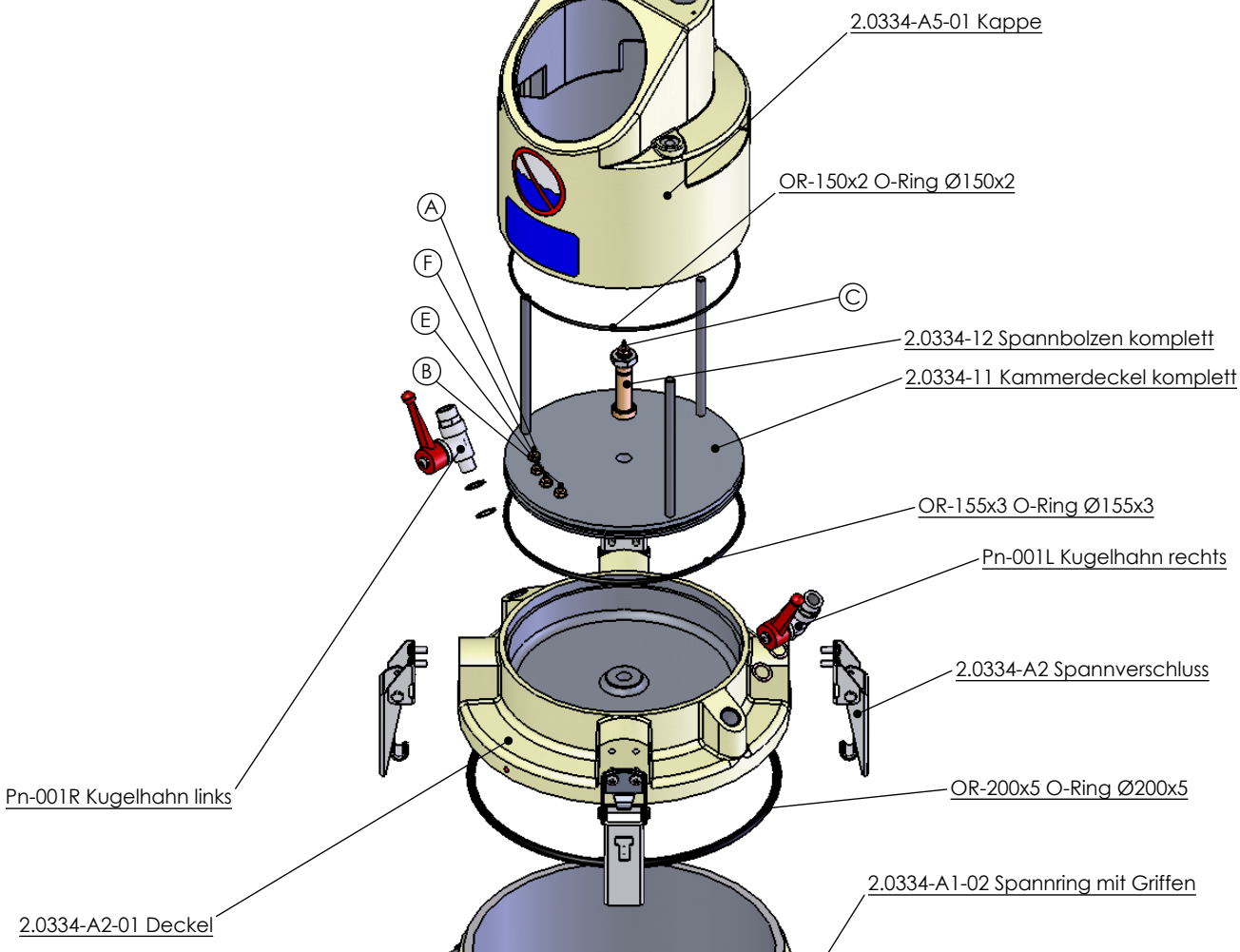
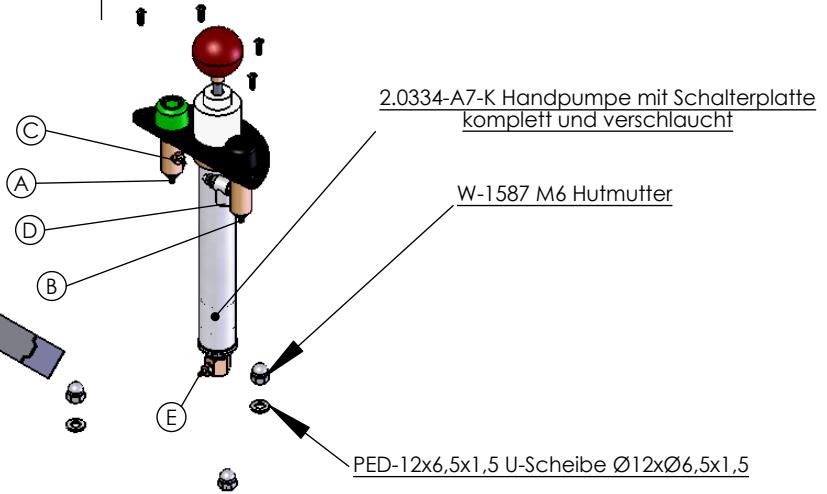


A
B
C
D
E
F

2.0334-A6 Manometer
OR-90x2 O-Ring Ø90x2



Schläuche:

A-A	265mm
B-B	265mm
C-C	265mm
D-Kappe	155mm
E-E	155mm
Manometer-F	225mm

